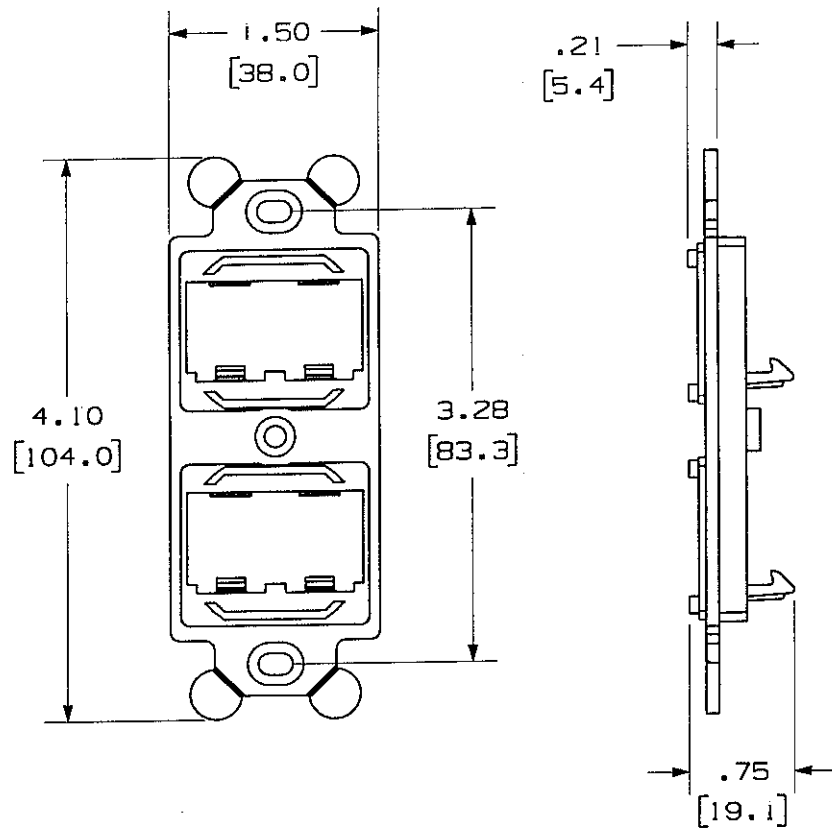
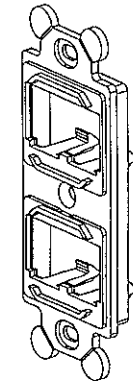


THIS COPY IS PROVIDED ON A RESTRICTED BASIS AND IS NOT TO BE USED IN ANY WAY DETRIMENTAL TO THE INTERESTS OF PANDUIT CORP.



| PANDUIT P/N | WEIGHT                            |
|-------------|-----------------------------------|
| CF1064**Y   | .29 LB/10 PCS<br>(131.5 g/10 PCS) |

- NOTES:
- SEE CURRENT CATALOG FOR ADDITIONAL PART NUMBER SUFFIXES TO INDICATE COLOR AND OR PACKAGE QUANTITY.
  - SEE CATALOG FOR COMPLETE LIST OF PARTS APPLICABLE FOR USE WITH THIS PART.
  - DIMENSIONS IN PARENTHESES ARE IN METRIC.
  - CF1064\*\* INCLUDES:  
1- 106 FRAME  
2- MOUNTING SCREW



|                  |                             |      |   |
|------------------|-----------------------------|------|---|
| MODEL FILENAME   | D35461BC_CM106F4_SLA_00.PRT | SIZE | A |
| DRAWING FILENAME | M02479GS_DC177_00A.PRT      |      |   |

MINI-COM 4 POSITION "106"  
SERIES FRAME CUSTOMER DRAWING

NETWORK SYSTEMS  
MAY 25 2006  
ENGINEERING DEPT



ALL DIMENSIONS ARE GIVEN IN INCHES, UNLESS OTHERWISE SPECIFIED.  
DIMENSIONAL TOLERANCES ARE:  
[.X] ± [XXX] ± .010(.3)  
[.XX] ± .031(.8) ANGLES ±

THIRD ANGLE PROJECTION  
DRAWN BY JsP  
DATE 4-26-06  
CHK'D

MATERIAL: ABS

|                  |           |
|------------------|-----------|
| 1:1 NUMBER       | N/A       |
| PRODUCT SPEC     | N/A       |
| WORK INSTRUCTION | N/A       |
| SCALE            | NONE      |
| PART NO.         | CF1064**Y |
| DRAWING NO.      | 02479-177 |

| REV | DATE    | BY  | CHK | DESCRIPTION            | ECN       | R | CUST | SUP | OTH |
|-----|---------|-----|-----|------------------------|-----------|---|------|-----|-----|
| R   | 4-26-06 | JsP |     | RELEASED TO PRODUCTION | 02479-177 |   |      |     |     |